

Cree® VSL Series

Efficient, cost effective solution.



ACCESSIBILITY AND CONVENIENCE WITHOUT RISKS

Compactness and Reliability

Designed with a light and reliable body, the new VSL series is characterized by cooling fins that help accelerate and improve heat dissipation. The waterproof gasket makes the degree of protection IP66

Easy maintenance

With its slim, light weight body, tool-less entry and quick connection features, the product can be easily installed in a few short minutes. Thanks to the automatic power-off protection power will be off once the fixture is opened.

Durability

High attention has been paid to the material selection to guarantee a high reliability of the whole assembly. The fixture has been designed to stand an ambient temperature within 50°C maximizing LED and driver lifetime through safe working conditions.

CREE 



Cree® VSL Series – High Performing Design

Available in two different sizes sharing the same forward-looking appearance both lighting and economic performances in streetlighting applications are easy to reach with this affordable solution that can rapidly ensure a short term full payback. Capable of reducing energy usage by 60% compared to traditional light source technologies, the Series matches efficiency and cost providing high quality lighting with a relatively low initial cost.

FEATURES

- Input Power: up to 150W
- Lumen output: up to 18000 Lm
- System efficacy: Up to 130lm/W
- CRI Minimum 70
- CCT: 3000K, 4000K
- Initial Colour Consistency: 5 steps MacAdam
- Input Voltage: 220-240V
- Power factor: Up to > 0.95 at full load
- Surge protection: 10kV surge immunity according to EN 61000-4-5 and EN 61547
- Operative temperature: -30°C up to +40°C
- Insulation class: Class I – Class II
- Enclosure rated IP66 per IEC 60529
- Impact resistance IK08
- Cable type H07RN-F (Cable length 1mt)
- Control options: Dimming 1-10V, Virtual Midnight
- Knife Switch integrated for automatic power off
- Nema socket option available

CONSTRUCTION AND MATERIALS

- Die cast aluminum alloy treated with powder coating for strong anti-corrosion performance
- Tool-less entry
- Luminaire is designed to mount directly to 76mm or 60mm outer dimension tenons or poles and can be tilted +/- 15°

WARRANTY AND CERTIFICATIONS

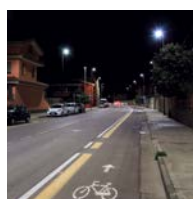
- Limited Warranty¹: 5 years
- CE mark / CB mark / ENEC mark / RoHs compliant
- Risk group exempt in accordance with Standard CEI EN 62471 for photobiological safety (Tested IEC/TR62778)
- Luminaire and finish endurance tested to withstand 2,500 hours of elevated ambient salt fog conditions as defined in ASTM Standard B 117
- Compliant to: EN 60598-1; EN 60598-2-3

APPLICATIONS



Street & Roadway Lighting

Cree® LED luminaires contribute to a healthy bottom line by reducing energy consumption, maintenance costs and the carbon footprint while keeping pedestrians and vehicles visible and safe at night.



Municipal & Residential Lighting

Upgrade municipal lighting in streets, public buildings, walkways, parking structures, and common areas. Not only will this help keep your operating and maintenance budget in check, it will provide dramatically better visibility — making public areas safe and secure.

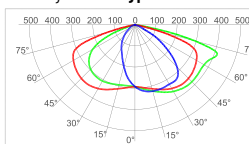


Car Park Lighting

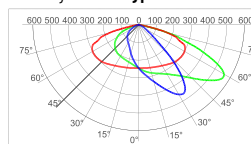
Installing Cree® LED lighting in your car park enhances your brand and reduces total cost of ownership and the carbon footprint, while providing a more inviting shopping experience for customers.

OPTIC SELECTION

275 Asymmetric Type II

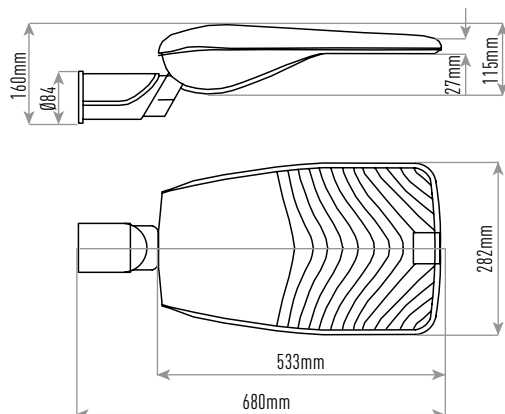


210 Asymmetric Type II

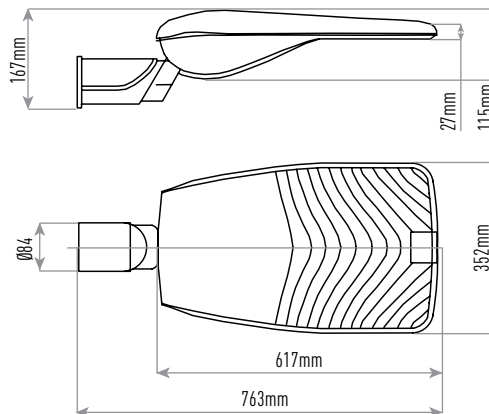


Dimensions

Weight: 6,8 kg



Weight: 9,2 kg



Visit www.cree-europe.com or contact Cree Europe Customer Service to learn more.

info.europe@cree.com | +39 055 343081

© 2019 Cree, Inc. All rights reserved. For informational purposes only. Not a warranty or specification. See lighting.cree.com/warranty for warranty and specifications. The Cree Logo is trademark of Cree, Inc. Rev. Date: 29/01/19

